

ZC8

系列射频同轴连接器
SERIES Zc8 COAXIAL CONNECTORS

SRT 升瑞科技
SUNRISE-TECH

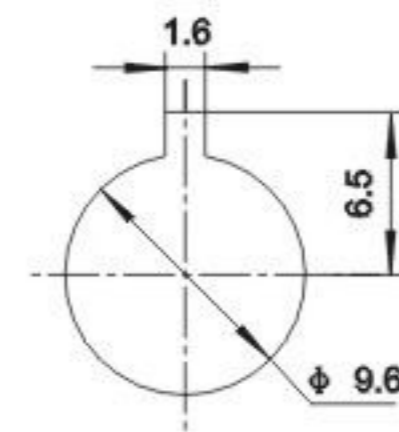
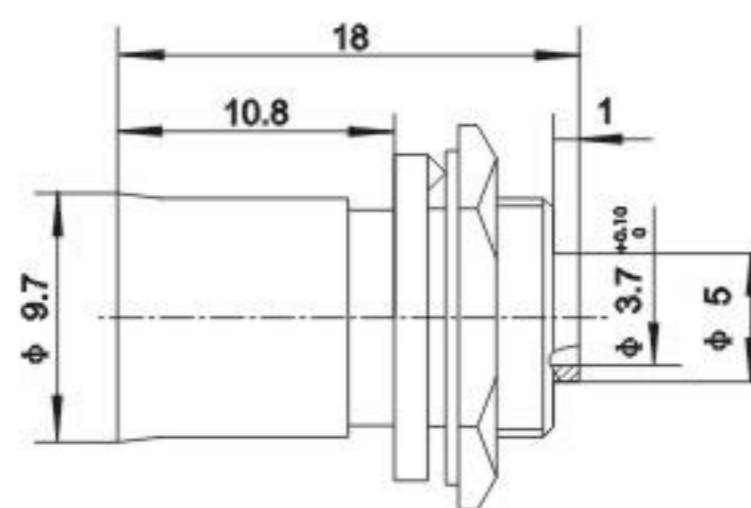
Zc8系列产品供无线电电子设备和电子仪器的高频网络中，连接射频同轴电缆用。特性阻抗为50Ω。

Series N RF.Coaxial connectors are suitable for connecting RF coaxial cables in radio equipment and instruments. Characteristic impedance is 50Ω.

主要技术特性		KEY PERFORMANCE	
温度范围 Temperature range	-55 ~ +200℃	绝缘电阻 Insulation resistance	>5000MΩ
特性阻抗 Characteristic Impedance	50Ω	接触电阻 Contact resistance	中心导体 Center conductor <0.005Ω
频率范围 Frequency range	0 ~200MHz		外导体 Outer conductor ≤0.005Ω
工作电压 Voltage rating	300V(rms)	寿命 Durability	1000 Cycles



ZC8-J3.5-1



ZC8-K3.5-1

